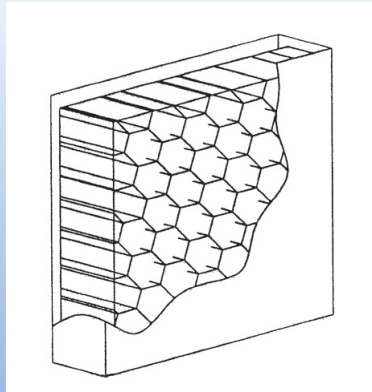
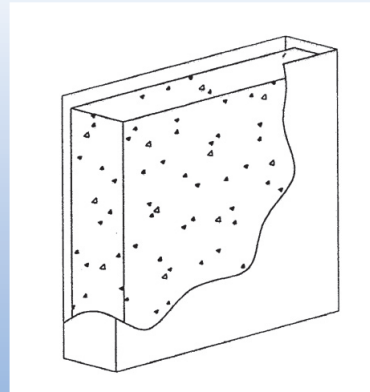


Door Cores

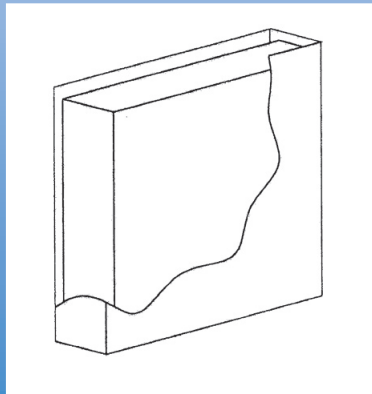
Whether your application is interior, exterior, sound retardation, high frequency usage or fire protection, Stainless Doors, Inc. has an internal core to suit your most demanding environments. Our technical engineering staff will assist you with choosing the best core for your application. This design assistance, along with our capabilities to provide our customers' products to meet their most challenging specifications and performance criteria is what creates "*The Stainless Advantage.*"



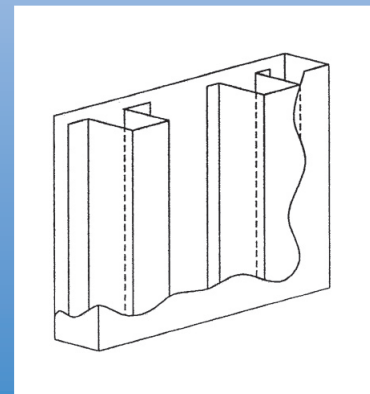
Honeycomb
U-Factor = .42
R-Factor = 2.4



Polystyrene
U-Factor = .13
R-Factor = 7.7



Polyurethane
U-Factor = .08
R-Factor = 12.0



Steel Stiffened
U & R Factors depend upon insulation, mineral wool, ceramic wool, or fiberglass

RECOMMENDATIONS

- Honeycomb is generally for interior doors
- Polystyrene is generally for exterior
- Polyurethane is generally for extreme or arctic conditions
- Steel Stiffened is generally for heavy usage



1075 Hialeah Drive • Hialeah, FL 33010-5551 • www.stainlessdoors.com

Phone: (305) 887-3667 • Toll Free (888) 605-DOOR • Fax: (305) 882-8600 • Toll Free Fax: (888) 605-3539